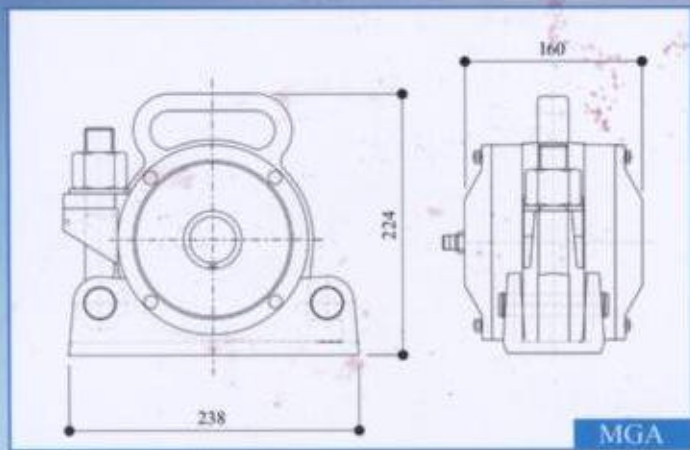
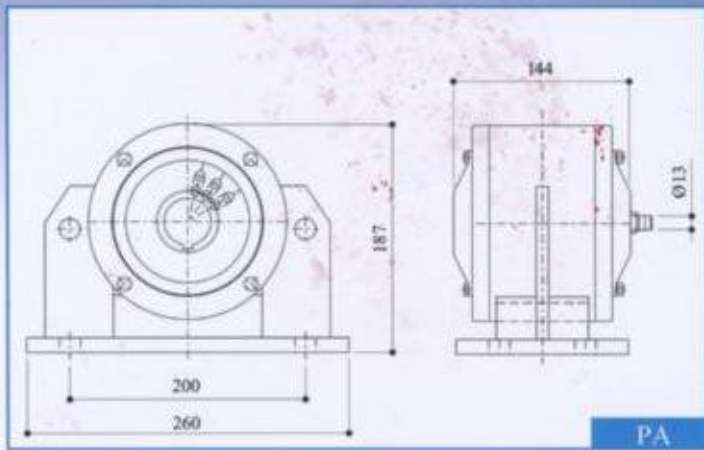


布威气动振动器

BROOWE PNEUMATIC VIBRATORS

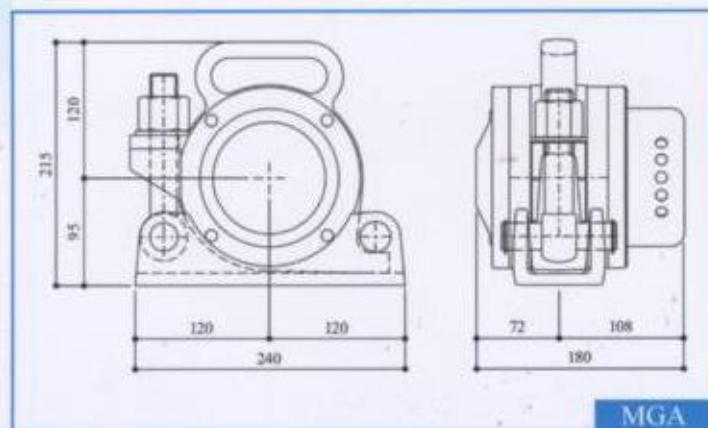


MGA



PA

| 型号 TYPE | 激振力 CENTRIFUGAL FORCE N | 振幅 AMPLITUDE cm kg | 转速 VIBRATIONS Rpm | 耗气量 AIR CONSUMPTION L/min | 重量 WEIGHT kg | 固定方式 FIXING SYSTEM | |
|------------|----------------------------------|--------------------------|-------------------------|------------------------------------|--------------------|-----------------------|-------|
| | | | | | | Cradle | Plate |
| BRP2500 | 25000 | 3.50 | 9000 | 1600 | 15 | MGA | PA |
| BRP2700 | 27000 | 1.95 | 16000 | 1600 | 14 | MGA | PA |
| BRP4500 | 45000 | 9.5 | 8500 | 1800 | 17.60 | MGA | PA |
| BRP4000 | 40000 | 2.96 | 15200 | 1800 | 14.50 | MGA | PA |
| BRP6000 | 60000 | 5.40 | 14500 | 1800 | 16.30 | MGA | PA |



MGA

BRVS4000是布威公司推出的新产品，其运行的噪音有显著的降低，并可保证混凝土产品的可靠性和生产效率。

This new product manufactured by Broowe, meets the need to reduce noise levels, thus guaranteeing reliability and efficiency of concrete products.

| 型号 TYPE | 激振力 CENTRIFUGAL FORCE N | 振幅 AMPLITUDE cm kg | 转速 VIBRATIONS Rpm | 耗气量 AIR CONSUMPTION L/min | 重量 WEIGHT kg | 噪音 NOISE LEVEL dB (A) |
|------------|----------------------------------|--------------------------|-------------------------|------------------------------------|--------------------|-----------------------------|
| BRVS4000 | 40000 | 5.51 | 10200 | 1800 | 18 | 85 |